



*Exclusive Accessories for  
Modern Toilets*

CATALOGUE 2020

**RIDDHI SIDDHI**

**PREMIUM TOILET ACCESSORIES**



# RIDDHI SIDDHI

## ABOUT US

**Riddhi Siddhi Plastic** has been continuously delivering advanced **Flushing Cisterns, Toilet Seat Covers & Accessories** since its inception in 2009. We ensure each product is the best in class and quality, always.

Backed by this formidable reputation and a sincere desire for customer satisfaction, we assure you that we will uphold this trust with utmost care and commitment.

With quality being our forte, we are confident our products will keep perform to exacting standards.

## COMPANY PROFILE

**Riddhi Siddhi Plastic** is Manufacturing company. Established in the year 2009 we are pioneers in manufacturing and marketing innovative flushing cisterns, seat covers and allied products.

**Riddhi Siddhi Plastic** has over the years, become synonymous with quality and technology, with an established presence in the flushing cisterns field for more than 11+ years.

**Riddhi Siddhi Plastic** of having superior technical expertise in product engineering.

## QUALITY POLICY

We at **Riddhi Siddhi Plastic** are committed to continually improve upon quality of sanitary wares including enhancing satisfaction of our valued customers through excellent manufacturing techniques, timely delivery, defect free products and applicable requirements.

This will be achieved by continual improvement in quality management system, innovation, team work and dedicated efforts of all employees.

## EMPLOYEE INVOLVEMENT

People are the source of our strength and **Riddhi Siddhi Plastic** shall foster team work & ensure all employees; treat each other with trust & respect.

## CUSTOMER FOCUS

Ensure that the customer needs are identified & that products & service meet these needs effectively.

Competitiveness Strive to continuously increase business and create business surplus for sustained growth and improvement.

Innovation Strive to innovate and excel in everything we do in products, value, service, human relations, competitiveness &



# Premium Toilet Accessories



SIDE VIEW

TOP VIEW

## SLIM DUAL FLUSHING CISTERN

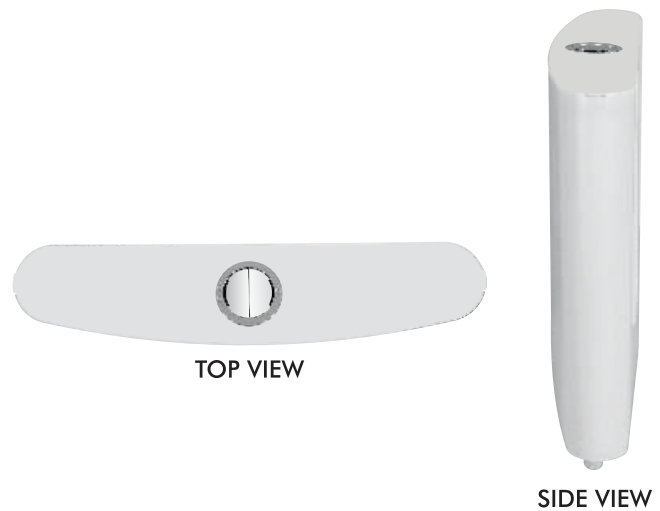
(6/3 LTR.) WITH AIR FRESHNER

MODEL NO.: 1001

SIZE : L 360 x W 90 x H 410 MM



SIZE : L 360 x W 90 x H 410 MM



TOP VIEW

SIDE VIEW

## SLIM DUAL FLUSHING CISTERN

(6/3 LTR.) WITHOUT AIR FRESHNER

MODEL NO.: 1002



SIDE VIEW



TOP VIEW



**SLIM DUAL SQUARE FLUSHING CISTERN**

(6/3 LTR.) WITH AIR FRESHNER

MODEL NO.: 1003

SIZE : L 365 x W 88 x H 450 MM



SIDE VIEW

**SOLID DUAL FLUSHING CISTERN**

(10/5 LTR.)

MODEL NO.: 1004

SIZE : L 480 x W 135 x H 320 MM



# Premium Toilet Accessories



SIDE VIEW



## SADA DUAL FLUSHING CISTERN

(8/4 LTR.)

MODEL NO.: 1005

SIZE : L 450 x W 130 x H 315 MM



SIZE : L 480 x W 135 x H 320 MM



SIDE VIEW

## PNEUMATIC FLUSHING CISTERN

MODEL NO.: 1006



SIDE VIEW

**SOLID FLUSHING CISTERN**

(10 LTR.)

MODEL NO.: 1007



SIZE : L 480 x W 135 x H 320 MM



SIZE : L 450 x W 130 x H 315 MM



SIDE VIEW

**SADA FLUSHING CISTERN**

MODEL NO.: 1008



# Premium Toilet Accessories



FRONT VIEW



BACK VIEW



## EWC SOLID SEAT COVER

(ISI TYPE)

MODEL NO.: 1101



FRONT VIEW



BACK VIEW

## EWC SADA SEAT COVER

MODEL NO.: 1102

**RIDDHI SIDDHI**



FRONT VIEW



BACK VIEW



**ANGLO INDIAN SEAT COVER**

MODEL NO.: 1103

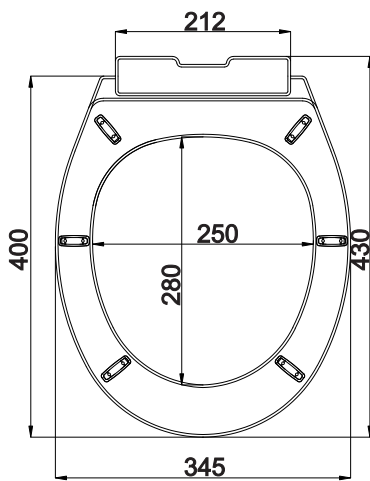


*Exclusive Accessories for  
Modern Toilets*





# Premium Toilet Accessories



## MINI SLIM SEAT COVER

**(HARD CLOSE)**  
MODEL NO.: 1104

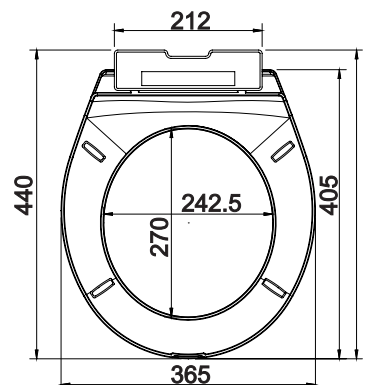
**(SOFT CLOSE)**  
MODEL NO.: 2104



FRONT VIEW



BACK VIEW



## EWC SLIM SEAT COVER

**(HARD CLOSE)**  
MODEL NO.: 1105

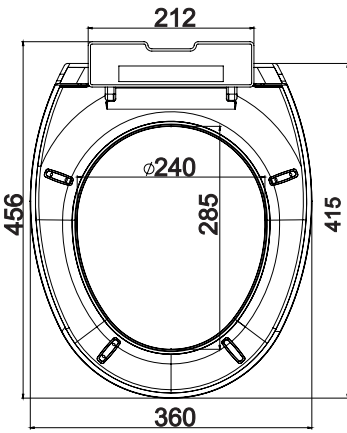
**(SOFT CLOSE)**  
MODEL NO.: 2105



FRONT VIEW



BACK VIEW



**MINI & EWC SOLID SEAT COVER**

**(HARD CLOSE)**

MODEL NO.: 1106

**(SOFT CLOSE)**

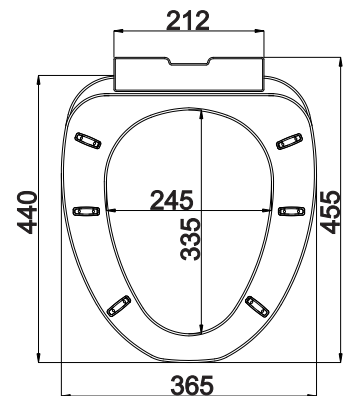
MODEL NO.: 2106



FRONT VIEW



BACK VIEW



**CASCADE SEAT COVER**

**(HARD CLOSE)**

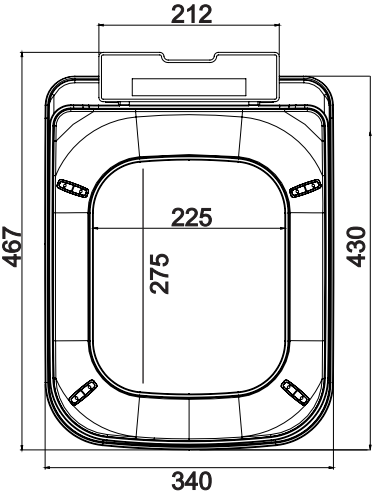
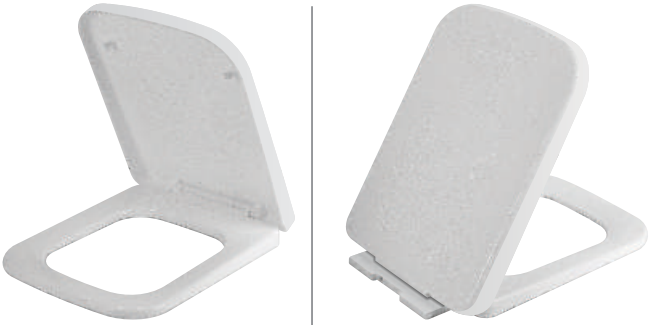
MODEL NO.: 1107

**(SOFT CLOSE)**

MODEL NO.: 2107



# Premium Toilet Accessories

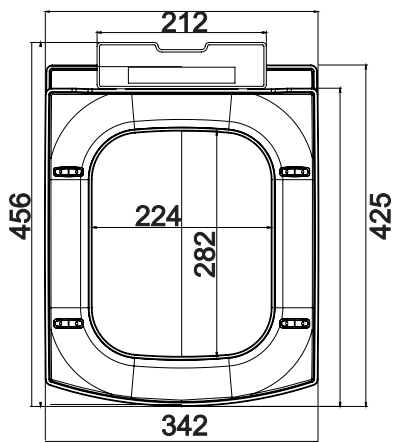


**ENIGMA SEAT COVER**  
**(SOFT CLOSE)**  
MODEL NO.: 2108



FRONT VIEW

BACK VIEW



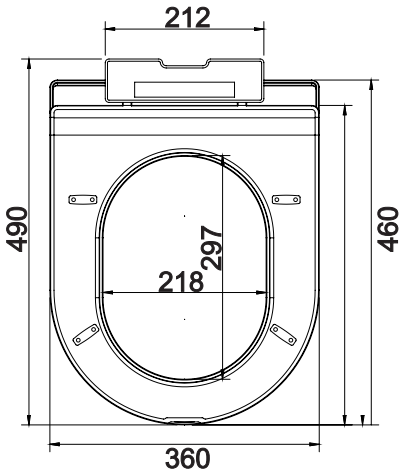
**LUMINIA SEAT COVER**  
**(SOFT CLOSE)**  
MODEL NO.: 2109



FRONT VIEW



BACK VIEW



## CARDIF SLIM BIG SEAT COVER

(SOFT CLOSE)

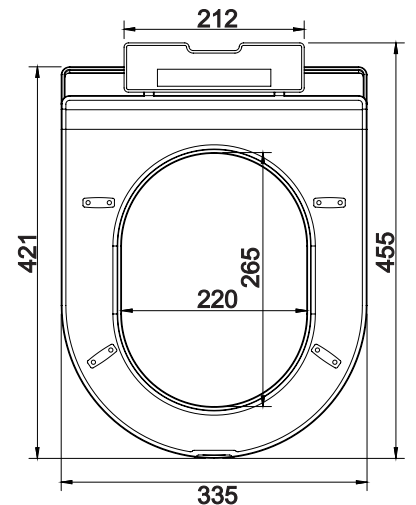
MODEL NO.: 2110



FRONT VIEW



BACK VIEW



## CARDIF SLIM SEAT COVER

(SOFT CLOSE)

MODEL NO.: 2111



# Premium Toilet Accessories



**4" SINK COUPLING  
AQUA PLUS**  
MODEL NO.: 101



**4" SINK COUPLING  
CONTAINER**  
MODEL NO.: 102



**4" SINK COUPLING  
EXTRA HEAVY**  
MODEL NO.: 103



**4" SQUARE COUPLING**  
Material : 304 Grade  
MODEL NO.: 104



**5" ROUND COUPLING**  
Material : 304 Grade  
MODEL NO.: 105



**2.5" ROUND COUPLING**  
Material : 304 Grade  
MODEL NO.: 106



**1 1/4" x 3" WASTE COUPLING**  
MODEL NO.: 107



**PUSH BUTTON SET  
PNEUMATIC**  
MODEL NO.: 108



**SYPHONE SET  
PNEUMATIC**  
MODEL NO.: 109



**SYPHONE SET W.C.  
CERAMIC TANK  
WITH BUTTON**  
MODEL NO.: 110



**SYPHONE SET DUAL  
FLUSH SLIM WITH BUTTON**  
MODEL NO.: 111



**SYPHONE SET  
SINGLE FLUSH**  
MODEL NO.: 112



**BOTTOM INLET VALVE**  
MODEL NO.: 113



**BOTTOM INLET VALVE  
(HEAVY)**  
MODEL NO.: 114



# Premium Toilet Accessories



**TWO WAY INLET VALVE (HEAVY)**  
MODEL NO.: 115



**S-TYPE INLET VALVE (HEAVY)**  
MODEL NO.: 116



**INLET VALVE MINI BALL COCK WITH BALL**  
MODEL NO.: 117



**INTERNAL MECHANISM FOR FLUSHING CISTERN (F.T. KIT)**  
MODEL NO.: 118



**FLOOR TRAP SADA**  
MODEL NO.: 119



**FLOOR TRAP HEAVY ABS**  
MODEL NO.: 120



**COCKROACH TRAP ABS**  
MODEL NO.: 121







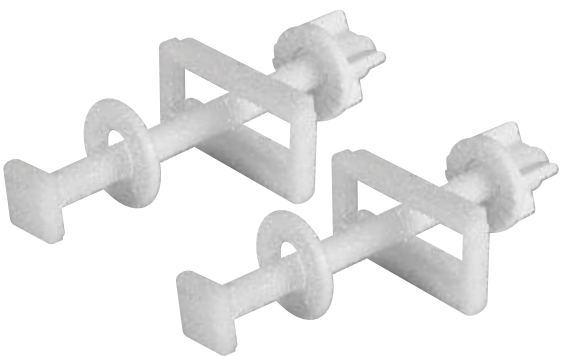
# Premium Toilet Accessories



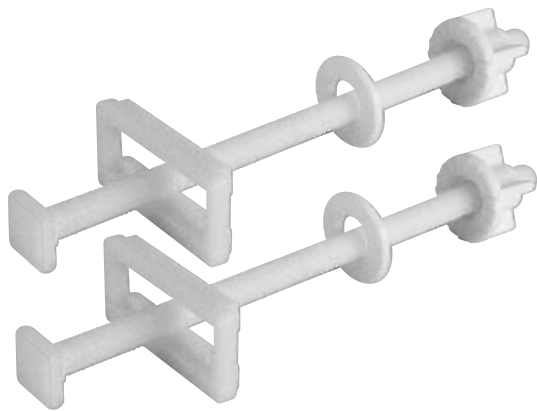
**SOFT CLOSE HINGES PLATE 2 PCS.**  
MODEL NO.: 122



**SOFT CLOSE HINGES PLATE**  
MODEL NO.: 123



**SOFT CLOSE HINGES (DURLIN)**  
MODEL NO.: 124



**CASCADE HINGES (DURLIN)**  
MODEL NO.: 125



**TOP FIXER HINGES**  
MODEL NO.: 126



**L-TYPE HINGES (NYLON)**  
MODEL NO.: 127



**FLOAT BALL BIG (ROUND)**  
MODEL NO.: 128



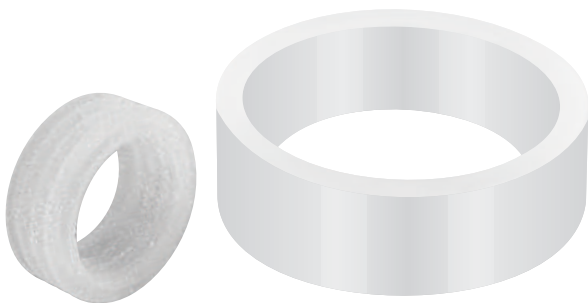
**FLOAT BALL SMALL (CHAPTA)**  
MODEL NO.: 129



**L-BEND 18" WITH CHECK NUT & 'O' RING**  
MODEL NO.: 130



**L-BEND 18" 2 PCS. FOLDABLE**  
MODEL NO.: 131



**W.C. WASHER SILICON**  
MODEL NO.: 132



**W.C. WASHER BLACK**  
MODEL NO.: 133



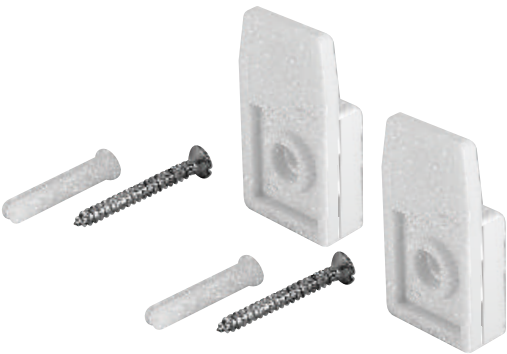
# Premium Toilet Accessories



**THREAD BUSH BLACK**  
MODEL NO.: 134



**SYPHONE WASHER (SILICON)**  
MODEL NO.: 135



**FLUSH TANK WALL  
BRACKET SET**  
MODEL NO.: 136



**SINK COUPLING  
REDUCER**  
SIZE: 1<sup>1</sup>/<sub>4</sub>" x 1<sup>1</sup>/<sub>2</sub>"  
MODEL NO.: 137

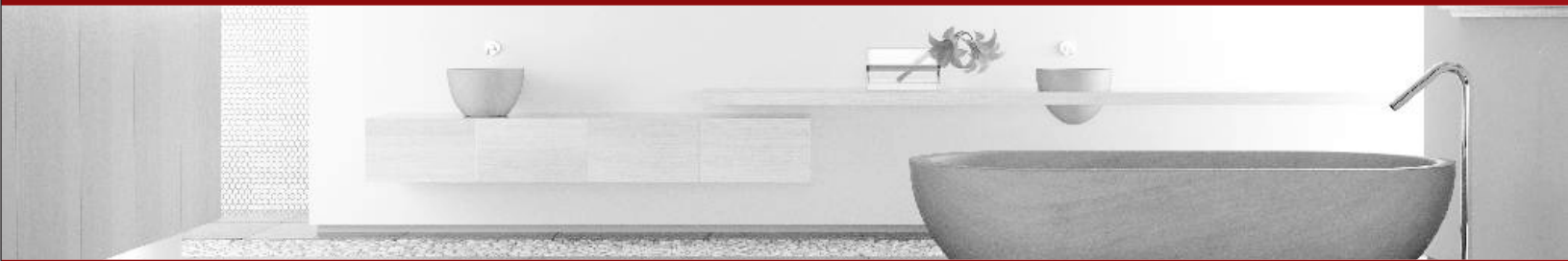


**HANDLE DANDI SET**  
MODEL NO.: 138



# RIDDHI SIDDHI

## PREMIUM TOILET ACCESSORIES



### **RIDDHI SIDDHI PLASTIC**

Plot No. 7, Apple Ind. Hub, Near Tata Motors,  
Nallasopara Phata, National Highway No. 8,  
Pelhar, Nallasopara (E), Dist. Palghar-401208.

Contact : +91-22-9821922028 / 9322655725

Email : [rsptsi999@gmail.com](mailto:rsptsi999@gmail.com) / [enquiry@riddhisiddhiplastic.in](mailto:enquiry@riddhisiddhiplastic.in)

Website : [www.riddhisiddhiplastic.in](http://www.riddhisiddhiplastic.in)